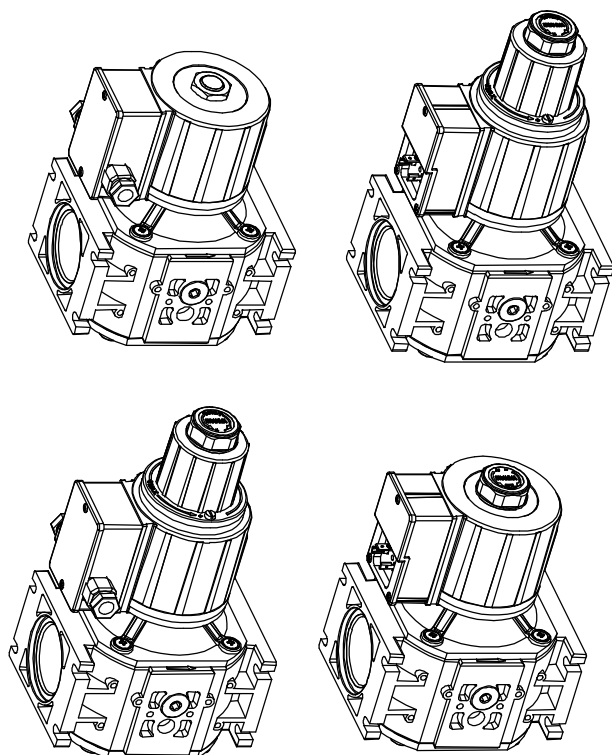


EG40*... SERIES

SOLENOID GAS VALVES WITH 1½” CONNECTIONS AND OPERATING PRESSURE UP TO 200 mbar



GENERAL DESCRIPTION

This series of solenoid valves are of normally closed type, suitable for civil and industrial applications, supplied with alternate current.

These devices are provided with a special rectifier circuit which supplies the valve coil with a high inrush power at starting (70 W in fast opening version and 138 W in slow opening version for about 120 seconds); then it reduces the power rating preventing the valve coil from overheating and keeping the gas valve in operating condition. This special circuit has enabled to achieved high operating pressure values using a small size valve coil.

A wire-net filter on the inlet avoids the entrance of dirt of > 1 mm.

There is the possibility to have a fast opening or a slow opening valve (obtained by special hydraulic shock-absorber), with flow adjustment and fast opening initial flow adjustment.

All versions can be connected with suitable fixing brackets, provided with by-pass solenoid valves and pressure plugs upstream and downstream.

Gas valves of this series are in compliance with European standard EN161 and have the EC-type certificate (CE PIN 0063AQ0626) in accordance with the Gas Appliance Directive 90/396/EEC and the following amendment 93/68/EEC.

TECHNICAL FEATURES

- Class: A
- Group: 2
- Supply voltage: 230V/50-60Hz
- Operating temperature: -10°C / +60°C
- Closing time: ≤ 1s
- Opening time: ≤ 1s (quick opening versions only)
- Protection degree: GMO IP54
GFD IP54
- Mounting: vertical and horizontal
- Body: die-cast aluminium
- Core hitch: PG9

DIRECTIONS FOR EG40*L... VALVES ADJUSTMENT

Flow adjustment

To adjust the gas flow, you have to remove one of the two screws used to fasten the lag group (the not enamelled one, marked with 4 in Fig. 1) and rotate clockwise the whole group to reduce the flow or in the opposite direction to increase it.

Opening time adjustment

After removing the top protection, by rotating it counterclockwise, you have to act on the adjustment screw, marked with 1 in Fig. 1. By rotating clockwise, the opening time becomes longer; by rotating in the opposite direction, the opening time becomes shorter.

Quick release initial flow adjustment

After removing the top protection by rotating it counterclockwise, if you rotate clockwise the nut marked with 2 in Fig. 1, the initial release will be reduced; if you rotate the same nut counterclockwise, the initial release will be increased.

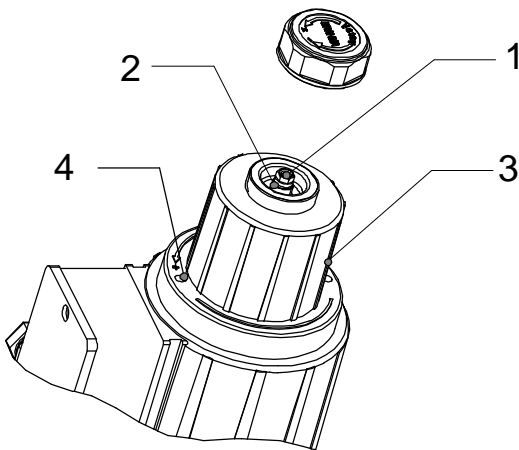


Fig. 1

SOLENOID VALVES CONNECTIONS

It is possible to connect two valves by means of four screws and an O-ring to guarantee the sealing as shown in Fig. 3. This method permits to avoid the onerous use of threaded junctions.

SOLENOID VALVES WITH BY-PASS

All versions of EG40*... valves can be equipped with a by-pass valve directly fitted on the body. In this way it is avoided the installation of a separated by-pass valve.

Both to the main valve and to the by-pass one, flow is given from the same inlet gas pipe, even if they have different electrical controls.

By-pass valve can have fast or slow opening and can be with or without flow adjuster, but anyway inclusive of an inside rectification circuit, which permitted to use suitable attenuators to make its actions as silent as possible.

DIRECTIONS FOR EG40*SR... VALVES ADJUSTMENT

Flow adjustment

After removing the top protection by rotating it counterclockwise, rotate clockwise the screw marked with 1 in Fig. 2 to reduce the flow, rotate in the opposite direction to increase the same.

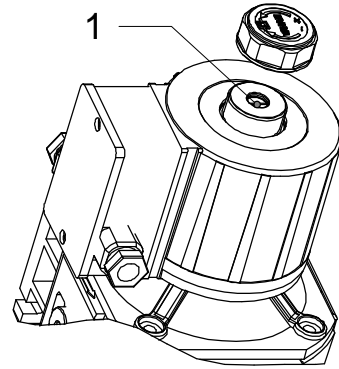


Fig. 2

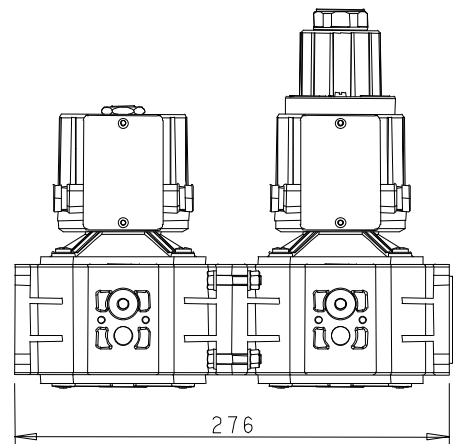
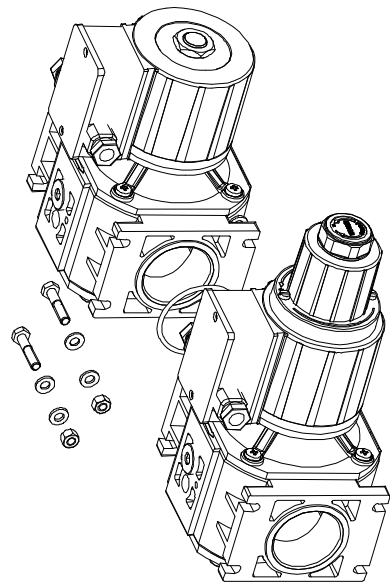
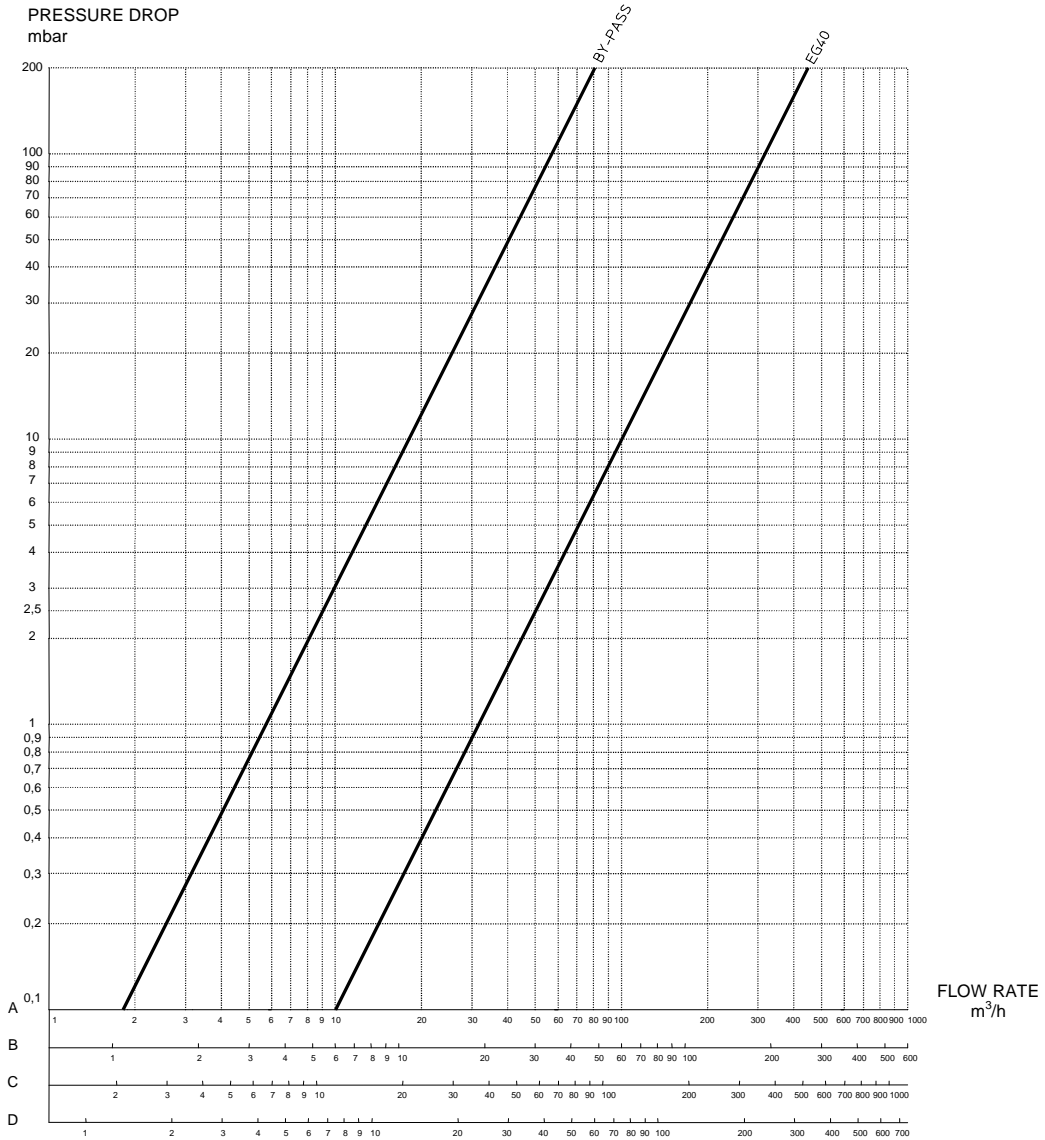
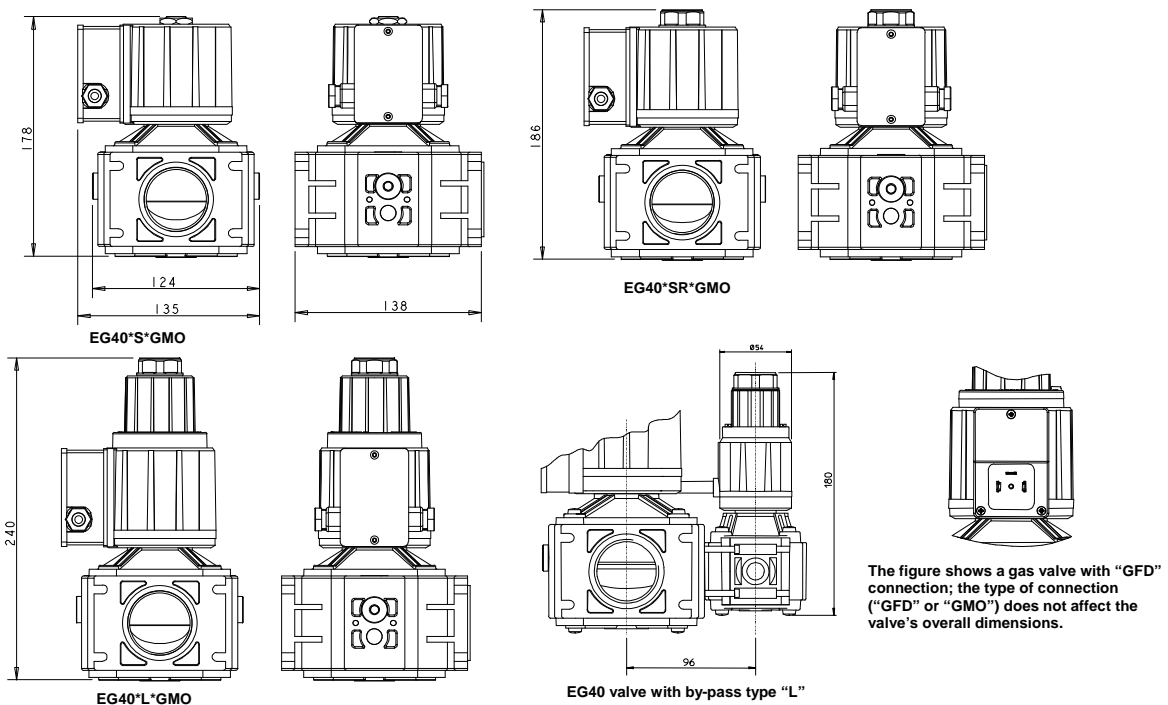


Fig. 3

DIAGRAM



OVERALL DIMENSIONS



TYPES REFERENCES

EG40 * S R P * S R D 25* G FD 8 P D 230/50-60

Type _____

Type	Description
EG40	G1½" inlet-outlet Ø40 orifice

Opening type (fast/slow) _____

Type	Description
S	Fast opening valve.
L	Slow opening valve (this version is inclusive of flow adjuster).

Flow adjustment _____

Valve fitted with equipment for flow adjustment.

Pressure plug _____

Valve inclusive of pressure plug with G1/4" connections.

Valve fitted with BY-PASS _____

By-pass valve supply voltage and connections are the same of the main gas valve; therefore both "GMO" or both "GFD".

By-pass type _____

Type	Description
S	Fast opening.
SR	Fast opening with flow adjustment.
L	Slow opening with flow adjustment.

Supply voltage _____

Type	Description
230/50-60	230 Vac / 50-60 Hz

Gas pressure switch position _____

Type	Description
D	Right
S	Left

Gas pressure switch type _____

Type	Description
P	Fixed setting
PR	adjustable setting

Test pressure point position _____

Type	Description
5	Outlet left
6	Outlet right
7	Inlet left
8	Inlet right

Connection type _____

Type	Description
FD	Connection with fast-on DIN
MO	Connection with terminal board.

Winding type _____

Type	Description
G	Supply in alternate current, but valve operates in direct current thanks to an embodied rectification bridge.

By-pass model _____

Type	Description
	Standard By-pass
25	By-pass made up EG25 valve

By-pass position _____

Type	Description
D	Right
S	Left

SUMMARY TABLE

TYPE	Operating pressure (mbar)	Orifice diameter (mm)	Connection	Weight (g)	Coil	Consumption (W) on start (120 s)	Consumption (W) running	Flow (m³/h gas with ΔP2.5mbar)
EG40*S	0÷200	40	G 1½"	3485	BE9*G..	70	20 (30VA)	50
EG40*SR	0÷200	40	G 1½"	3505	BE9*G..	70	20 (30VA)	50
EG40*L	0÷200	40	G 1½"	3755	BE9*G..	138	37	50

ATTENTION -> Company Brahma S.p.A. declines any responsibility for any damage resulting from the Customer's interfering with the device.

BRAHMA S.p.A.

Via del Pontiere, 31
37045 Legnago (VR)
Tel. +39 0442 635211 - Telefax +39 0442 25683
<http://www.brahma.it>
E-mail : brahma@brahma.it

2008/04/15 Subject to amendments without notice