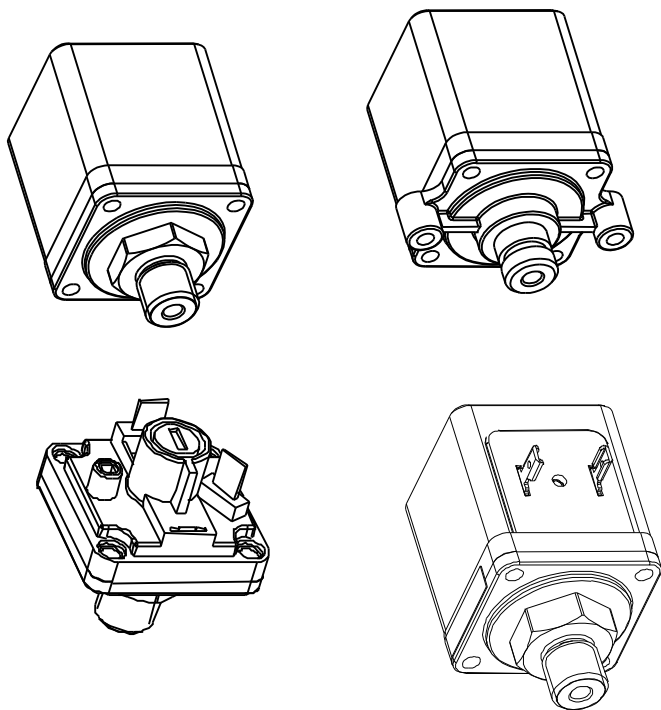


## GAS PRESSURE SWITCHES TYPE PG..



### APPLICATION

The gas pressure switches of this series are available with both fixed and adjustable switching pressure setting. They are particularly suitable for use in all atmospheric and fan assisted gas burners and, more generally, in any application requiring gas pressure range control.

### MANUFACTURING FEATURES

Pressure switches consist of a quick switching system operated by a membrane acting as a pressure signal transducer, fixed on a brass frame allowing to mount the pressure switch on a valve or on the gas piping. From the electrical point of view, two 6,3x0,8mm male fast-on contacts are available for the use of the device as a switch in series to the thermostat line (Fig.1). This pressure switch shall be connected to earth by means of the mechanical connection.

Pressure switches are manufactured with two different fixing systems:

- male clutch with G 1/4" thread (Fig.3);
- bracket with sealing O-ring and two M4 screws (Fig.2) to fit pressure switches to BRAHMA valves of the EG... series.

Fig.2 and Fig.3 show the overall dimensions.

Pressure switches are equipped with a transparent plastic cover which protects the electrical connections and enables to read the setting in adjustable versions; these devices must be connected to earth by means of a mechanical connection.

### TECHNICAL FEATURES

Pressures values for fixed setting version (\*):

**Trip point:** 9 ±2 mbar  
**Reset point:** trip point -3 ± 0.75 mbar  
**Pressure range for adjustable setting version:**

5 ÷45 mbar

**Hysteresis:** 3 mbar

**Max. working pressure:** 500mbar

**Electrical connections:** AMP 6,3x0,8 mm (DIN46244)  
 Plug DIN43650

**Voltage rating:** 250 Vac

**Contact rating (AgNi contact):** 6 A (resistive load)

1.5 A (inductive load)

**Diaphragm:** nitrile rubber (NBR)

**Ambient temperature range:** 0°... 85 °C

**Protection degree:** With cover: IP40

Without cover: IP00

**Mounting position:** any

**Mechanical connection:** UNI ISO 228/1 G1/4"

Fitting to gas valves of the EG Series by means of M4 screw

(\*) Versions with different pressure setting are available on request.

### APPROVAL

Pressure switches are in compliance with the standard EN 1854:1997-08 and fulfil the requirements of the Gas Appliance Directive 90/396/EEC and the following amendment 93/68/EEC (CE PIN 0063BL4664).

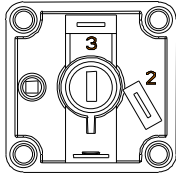


Fig. 1

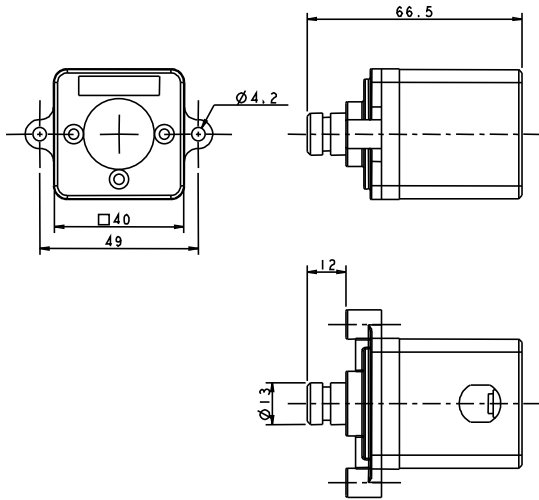


Fig. 2 Bracket fixing system

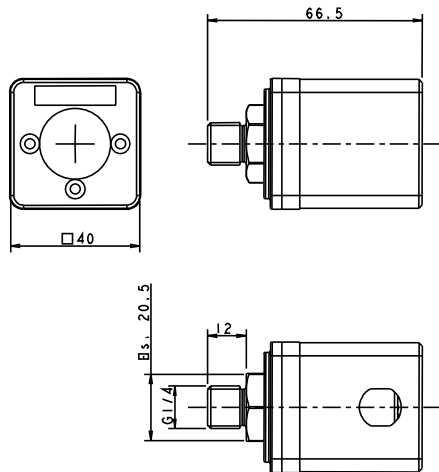


Fig. 3 G 1/4" threaded male fixing system

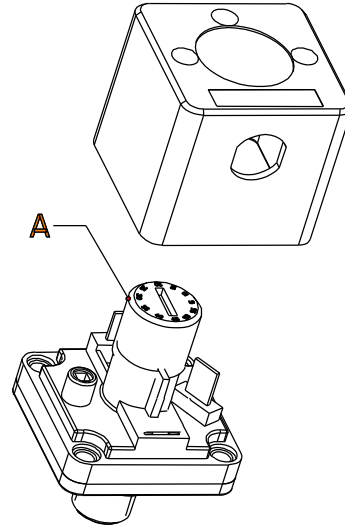


Fig. 4

#### DIRECTIONS FOR SWITCHING PRESSURE ADJUSTMENT - for adjustable version only

To adjust the pressure value enabling the switching of the device contacts, take off the protection cover by removing the fixing screw.

By means of the central knob (see Fig.4), the threshold pressure can be adjusted within the preset operating range of each pressure switch.

For an accurate switching pressure setting, it is advisable to use a pressure gauge.

#### CAUTION

Before adjusting the pressure setting in adjustable versions, cut off the supply voltage in the final appliance in which the device is installed.

#### PRODUCT DESIGNATIONS

PGF: gas pressure switches with fixed setting with UNI ISO 228/1 G1/4" threaded fixing system.

PGF-F: gas pressure switches with fixed setting with UNI ISO 228/1 G1/4" threaded fixing system, with connection plug DIN43650.

PGR: gas pressure switches with adjustable setting with UNI ISO 228/1 G1/4" threaded fixing system.

PGR-F: gas pressure switches with adjustable setting with UNI ISO 228/1 G1/4" threaded fixing system, with connection plug DIN43650.

PGFV: gas pressure switches with fixed setting for fitting to Brahma gas valves.

PGRV: gas pressure switches with adjustable setting for fitting to Brahma gas valves.

## GAS PRESSURE SWITCHES TYPE PG...

#### BRAHMA S.p.A.

Via del Pontiere, 31  
37045 Legnago (VR)  
Tel. +39 0442 635211 - Telefax +39 0442 25683 - 635256  
<http://www.brahma.it>  
E-mail : [brahma@brahma.it](mailto:brahma@brahma.it)

03/01/30 Subject to amendments without notice